

1Trig 4Cyl 4Coil 12V Hall

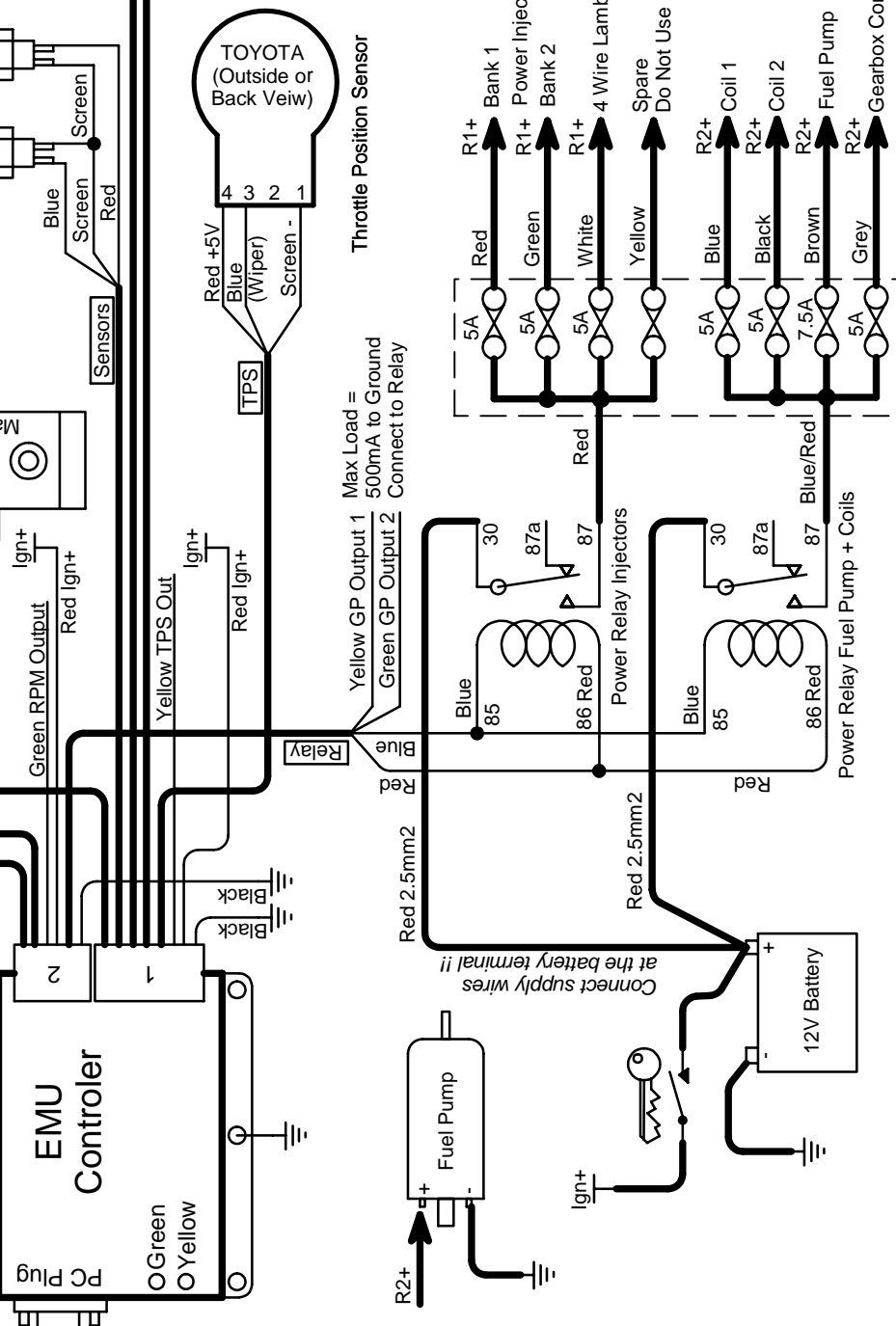
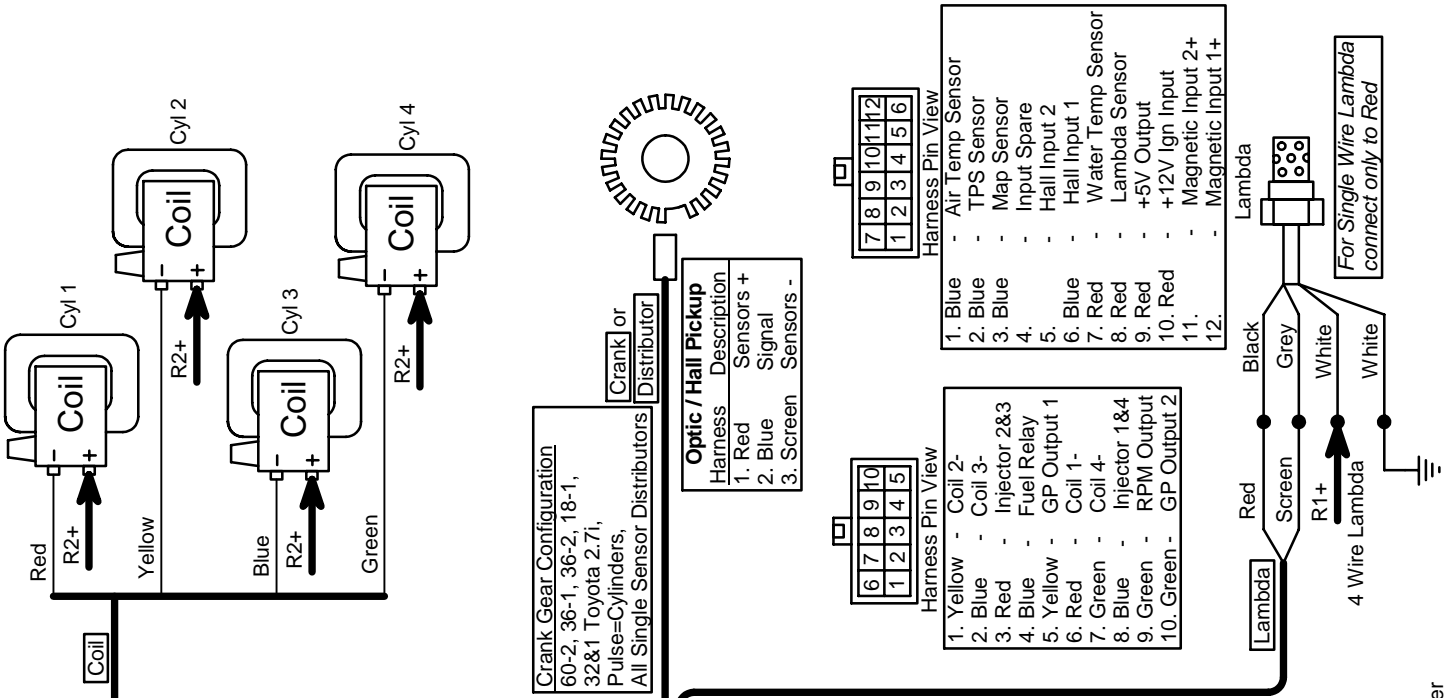
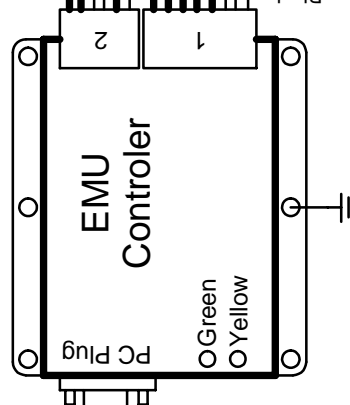
Harness Required: E16 Ver 1.0 & E12 Ver 1.0

Last Changed: 08/05/2008

Drawing Ver: 1.0

Ign+ Ignition Power
 Earth
Terminal Connections with the same name are tied together

Led's Functions
 Yellow - Power
 Green - RPM Pulse



Harness Pin View	
1	Yellow - Coil 2-
2	Blue - Coil 3-
3	Red - Injector 2&3
4	Blue - Fuel Relay
5	Yellow - GP Output 1
6	Red - Coil 1-
7	Green - Coil 4-
8	Blue - Injector 1&4
9	Green - RPM Output
10	Green - GP Output 2

Harness Pin View	
1	Blue - Air Temp Sensor
2	Blue - TPS Sensor
3	Blue - Map Sensor
4	- Input Spare
5	- Hall Input 2
6	Blue - Hall Input 1
7	Red - Water Temp Sensor
8	Red - Lambda Sensor
9	Red - +5V Ign Input
10	Red - Magnetic Input 2+
11	-
12	- Magnetic Input 1+

